

Heavy Duty Roller Blind Range



Overview

The Evaya Heavy Duty roller blind system has been engineered to meet the demands of larger and heavier shading applications.

Motorisation

Individual or multiple blinds can be motorised and easily controlled by means of wall mounted switches, remote controls or integration into building management systems.

Installation

Installation and securing of the Heavy Duty system is made using snap lock spring loaded idle end technology. Adjustable and non-adjustable end brackets are available with covers and screw plates to provide a neat finish.

Options

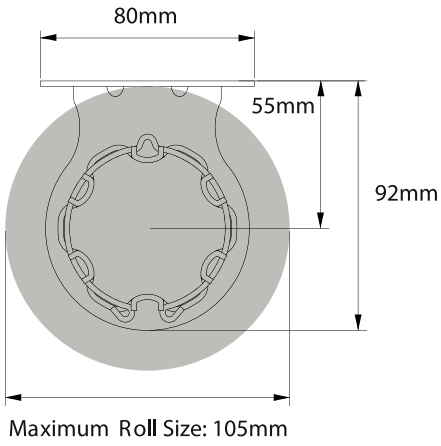
60mm or 80mm Extruded Aluminium Head-rails.

Chain controls with high performance spring boosters.

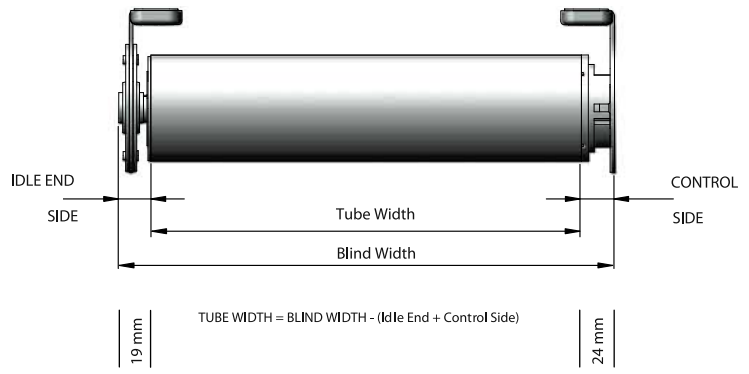
Multi-link and uni-joint linking systems are available for large or curved window applications.

Combo brackets are another feature of the Heavy Duty range which can be utilised where dual blinds are required.

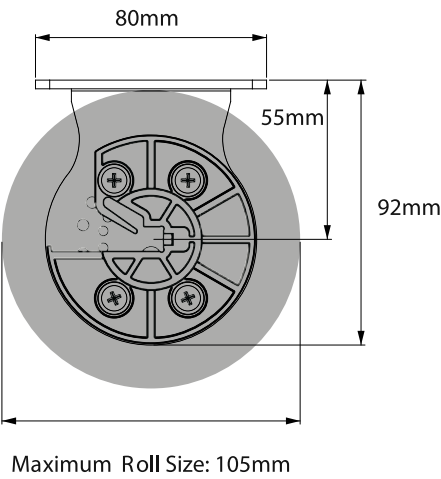
MAX ROLL



DEDUCTIONS



MAX ROLL

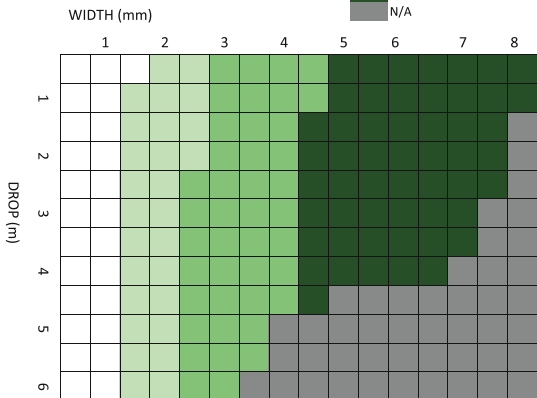


DEDUCTIONS



SYSTEM CAPACITY CHART
CHAIN CONTROL WITH BOOSTER

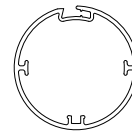
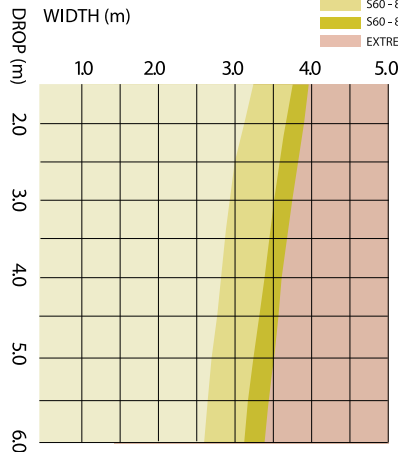
- LIGHT SPRING ASSIST
- STANDARD SPRING ASSIST
- HD SPRING ASSIST
- N/A



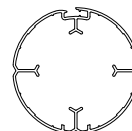
*Based on fabric weight of 420 grams per square meter and F4115 Flat heavy duty base bar.

ALUMINIUM TUBE CAPACITY CHART

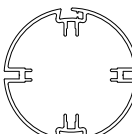
- S60 STANDARD
- S60 - 80 LIGHT
- S60 - 80 HEAVY DUTY
- EXTREME DUTY



S60 | 60 STANDARD Tube
O.D: 60mm



S60 | 80 LIGHT Tube
O.D: 80mm



S60 | 80 HEAVY DUTY Tube
O.D: 80mm