

Standard Roller Blind Range



Overview

Our Standard Roller Blind series is designed to provide customers with an innovative, stylish performance based shading solution. Advanced engineering means these blinds can be used in a range of settings including those involving extremely narrow, large or over sized windows.

Our highly adaptable operating and braking systems are capable of coping with either very small or very large loads. Combinations of mechanism and head rail systems can be utilised to optimise function and aesthetic appeal.

Base rails are available with either anodised or colour powder-coated finishes and come in a range of styles.

Motorisation

Individual or multiple blinds can be motorised and easily controlled by means of wall mounted switches, remote controls or integration into building management systems.

Installation

A variety of mounting systems are available including our dual system which allows two individual blinds to be set on a common bracket.

Options

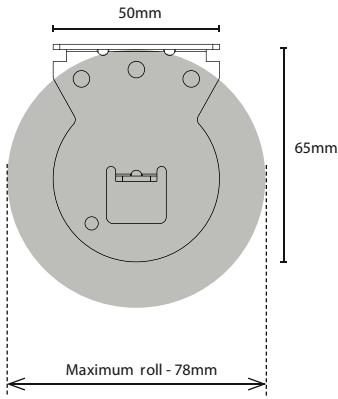
Our standard range comes with a patented smooth, quiet and durable linking system which allow multiple blinds to be controlled independently

Function

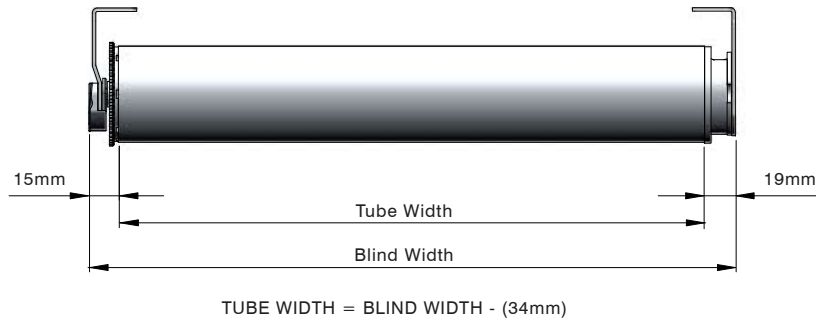
These are the perfect blinds to compliment the look of any setting.

The Evaya Roller Blind range has been designed to actively and effectively control light, glare and solar transmission whilst providing excellent degrees of privacy and screening.

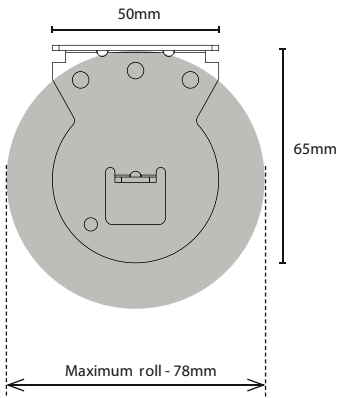
MAX ROLL



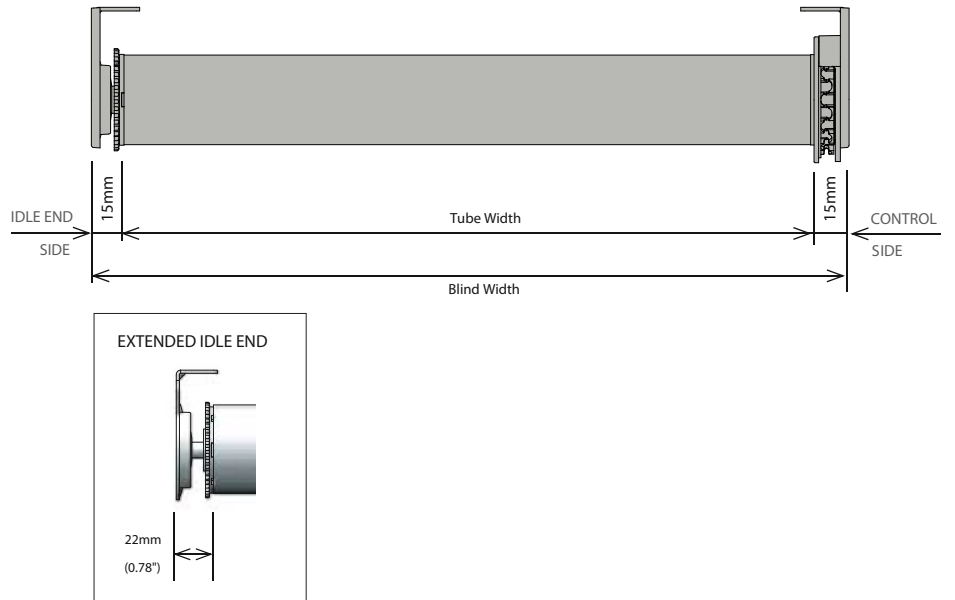
DEDUCTIONS



MAX ROLL



DEDUCTIONS



S45

